

1520228-3 ✓ ACTIVE

Alcoswitch | Alcoswitch AM

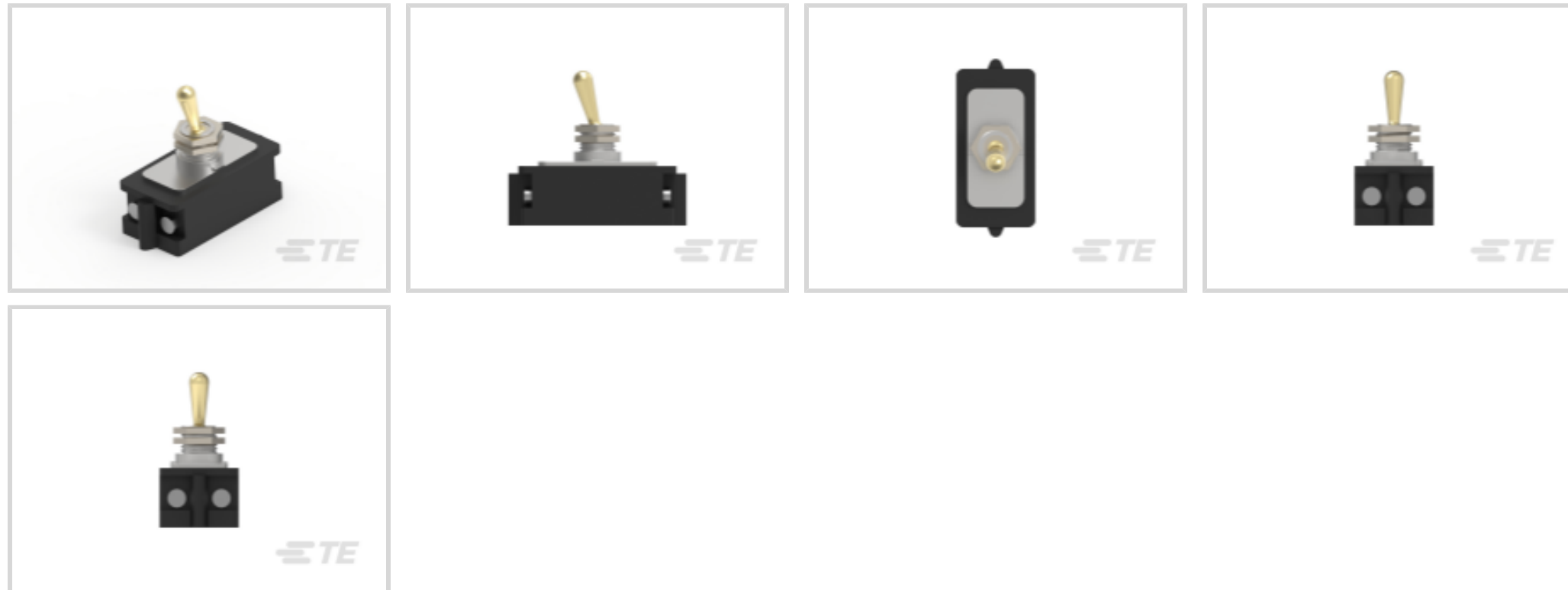
TE Internal #: 1520228-3

Toggle Switches, Double Pole - Single Throw Configuration (Pole-Throw), 15/32-32 UNS-2A, Baton, On Off, 10 A, 250 VAC, Power Toggle, Alcoswitch AM

[View on TE.com >](#)



Relays, Contactors & Switches > Switches > Toggle Switches



Configuration (Pole-Throw): **Double Pole - Single Throw**

Bushing Thread Size: **15/32-32 UNS-2A**

Toggle Style: **Baton**

Operating Function: **On Off**

Toggle Switch Contact Current Rating: **10 A**

Features

Product Type Features

Product Type	Switch
Toggle Style	Baton
Toggle Switch Type	Power Toggle
Toggle Actuation	Vertical

Configuration Features

Configuration (Pole-Throw)	Double Pole - Single Throw
Operating Function	On Off

Electrical Characteristics

UL/CSA Current Rating (125V)	20 A
UL/CSA Horsepower Rating (125V)	1.5 hp
UL/CSA Horsepower Rating (250V)	1.5 hp
UL/CSA Current Rating (250V)	10 A
Toggle Switch Voltage Rating	250 VAC

Body Features



Bushing Thread Size	15/32-32 UNS-2A
---------------------	-----------------

Bushing Style	Threaded
---------------	----------

Contact Features

Toggle Switch Contact Current Rating	10 A
--------------------------------------	------

Termination Features

Termination Type	Screw-In Terminal
------------------	-------------------

Mechanical Attachment

Toggle Switch Mounting Type	One Hole
-----------------------------	----------

Dimensions

Toggle Length	16.66 mm[.656 in]
---------------	-------------------

Bushing Length	8.74 mm[.344 in]
----------------	------------------

Product Compliance

[For compliance documentation, visit the product page on TE.com>](#)

EU RoHS Directive 2011/65/EU	Compliant with Exemptions
------------------------------	---------------------------

EU ELV Directive 2000/53/EC	Not Compliant
-----------------------------	---------------

China RoHS 2 Directive MIIT Order No 32, 2016	Restricted Materials Above Threshold
---	--------------------------------------

EU REACH Regulation (EC) No. 1907/2006	Current ECHA Candidate List: JUNE 2022 (224) Candidate List Declared Against: JUL 2019 (201) SVHC > Threshold: Not Yet Reviewed
--	--

Halogen Content	Not Yet Reviewed for halogen content
-----------------	--------------------------------------

Solder Process Capability	Not applicable for solder process capability
---------------------------	--

Product Compliance Disclaimer

This information is provided based on reasonable inquiry of our suppliers and represents our current actual knowledge based on the information they provided. This information is subject to change. The part numbers that TE has identified as EU RoHS compliant have a maximum concentration of 0.1% by weight in homogenous materials for lead, hexavalent chromium, mercury, PBB, PBDE, DBP, BBP, DEHP, DIBP, and 0.01% for cadmium, or qualify for an exemption to these limits as defined in the Annexes of Directive 2011/65/EU (RoHS2). Finished electrical and electronic equipment products will be CE marked as required by Directive 2011/65/EU. Components may not be CE marked. Additionally, the part numbers that TE has identified as EU ELV compliant have a maximum concentration of 0.1% by weight in homogenous materials for lead, hexavalent chromium, and mercury, and 0.01% for cadmium, or qualify for an exemption to these limits as defined in the Annexes of Directive 2000/53/EC (ELV). Regarding the REACH Regulations, TE's information on SVHC in articles for this part number is still based on the European Chemical Agency (ECHA) 'Guidance on requirements for substances in articles' (Version: 2, April 2011), applying the 0.1% weight on weight concentration threshold at the finished product level. TE is aware of the European Court of Justice ruling of September 10th, 2015 also known as O5A (Once An Article Always An Article) stating that, in case of 'complex object', the threshold for a SVHC must be applied to both the

product as a whole and simultaneously to each of the articles forming part of its composition. TE has evaluated this ruling based on the new ECHA "Guidance on requirements for substances in articles" (June 2017, version 4.0) and will be updating its statements accordingly.

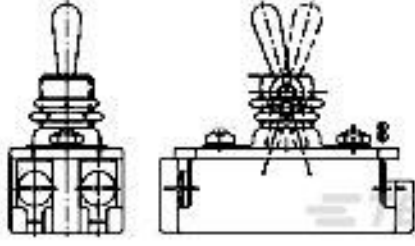
Compatible Parts



TE Part # 1825476-1
7360K8 MODIFIED SHELF ITEM ONL



TE Part # 1520228-4
7360K8=BULKPACK 10 TOGGLE SW



TE Part # 1520117-1
8910K94=10 AMP TOGGLE



TE Part # 1520228-5
7361K5=10 AMP TOGGLE SWITCH/DI



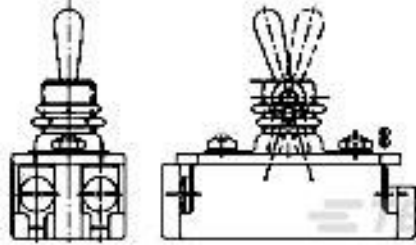
TE Part # 2-1520228-4
7360K8=T-PAK for 0-1520228-4



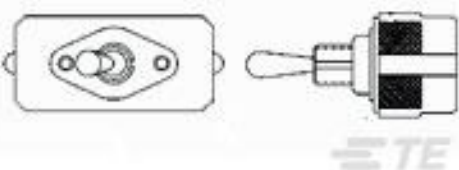
TE Part # 1-1520228-0
8910K205=10 AMP TOGGLE SWITCH



TE Part # 1-1520228-1
8910K219=10 AMP TOGGLE SWT



TE Part # 1520117-2
8910K97=10 AMP TOGGLE



TE Part # 1520120-1
8910K194=20 AMP TOGGLE



TE Part # 1520228-1
7359K2



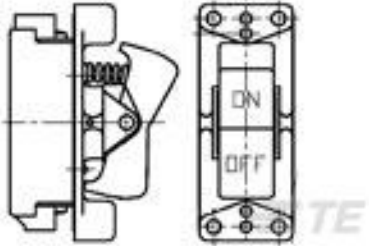
TE Part # 1520228-2
7359K3



TE Part # 1520228-7
8909K23=7360K8 MOD



TE Part # 1520228-8
8910K12=7360K8 W/ SPADE TERMIN



TE Part # 1520238-1
8630K50=8 AMP ROCKER

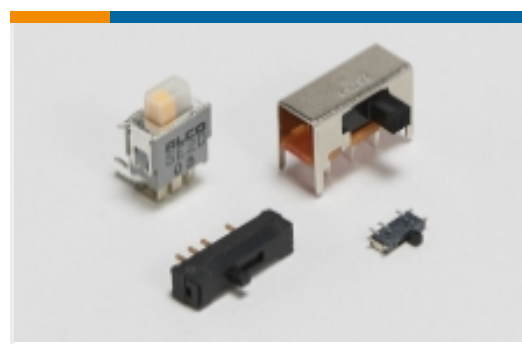


TE Part # 2-1520228-3
7360K7=T-PAK for 0-1520228-3



TE Part # 2-1520228-5
7361K5=T-PAK for 0-1520228-5

Also in the Series | **Alcoswitch AM**



Slide Switches(1)



Toggle Switches(7)

Documents

Product Drawings

[7360K7=10 AMP TOGGLE SWITCH/DI](#)

English

CAD Files

Customer View Model

[ENG_CVM_CVM_1520228-3_B1.3d_igs.zip](#)

English

Customer View Model

[ENG_CVM_CVM_1520228-3_B1.3d_stp.zip](#)

English

Customer View Model

[ENG_CVM_CVM_1520228-3_B1.2d_dxf.zip](#)

English

[3D PDF](#)

3D

[3D PDF](#)

English

Customer View Model

[ENG_CVM_1520228-3_B.3d_igs.zip](#)

English

Customer View Model

[ENG_CVM_1520228-3_B.3d_stp.zip](#)

English

Customer View Model

[ENG_CVM_1520228-3_B.2d_dxf.zip](#)

English

By downloading the CAD file I accept and agree to the [Terms and Conditions](#) of use.

Datasheets & Catalog Pages

[SWITCHES_CORE_PROGRAM_CATALOG](#)

English